



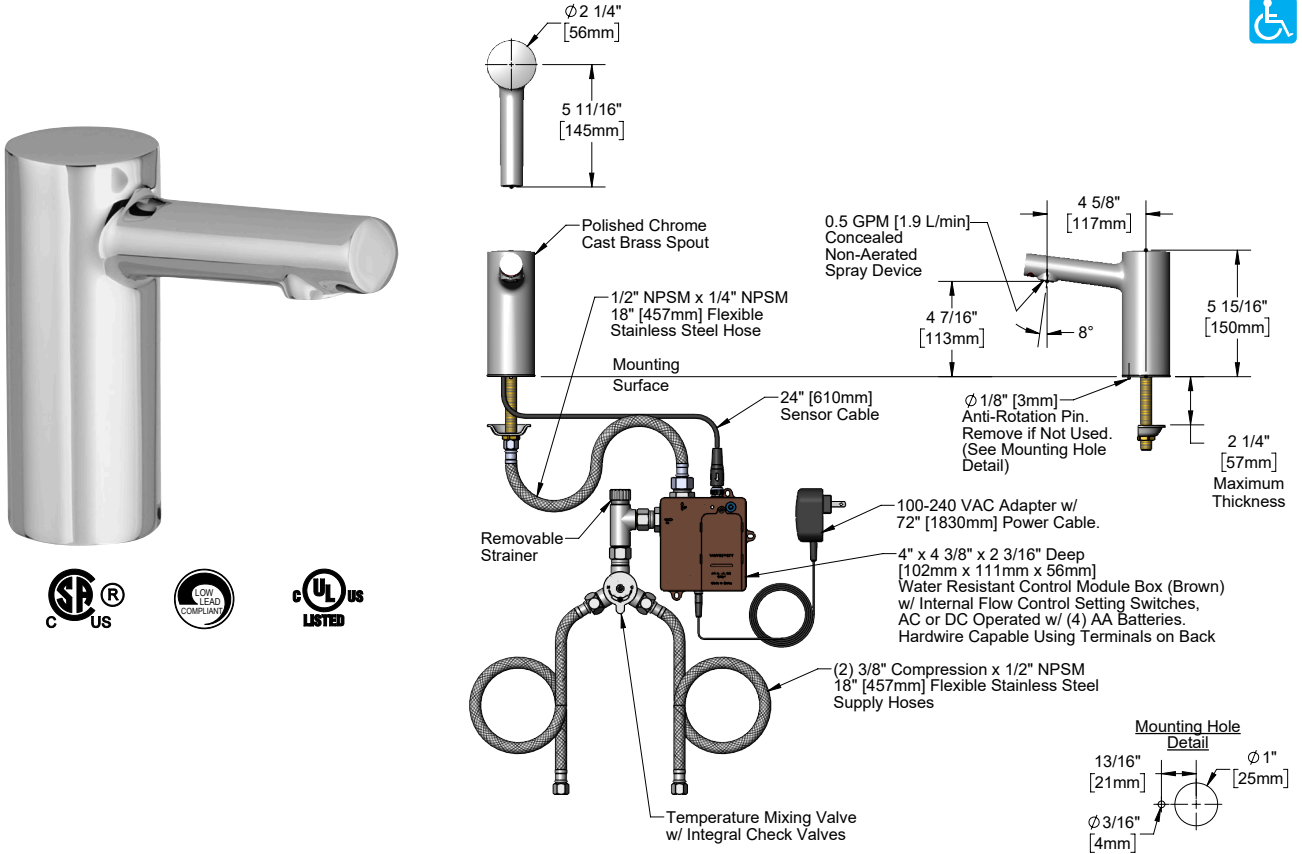
Technical Data

**COUNTER-MOUNTED
AUTOMATIC FAUCET**

B-991_

Specify Finish Required:

- B-9918 Polished Chrome
- B-9915 Brushed Nickel
- B-9912 Matte Black
- B-9911 Polished Graphite
- B-9910 Brushed Brass



MATERIALS:

Spout Assembly — Spout is made of one-piece heavy-duty cast brass available in five different finishes. Built in IR Time of Flight sensor with sophisticated automatic user detection ensures the user does not need to touch the faucet and helps deliver optimum water savings. See Finishes below.

Finish Type	Model No.
Polished Chrome	B-9918
Brushed Nickel	B-9915
Matte Black	B-9912
Polished Graphite	B-9911
Brushed Brass	B-9910

Hidden Spray Device and Key — Use key to install vandal-resistant, non-aerated spray device into spout.

Inlet Hose — Inlet hose connects faucet body and control module beneath the counter.

Shank Mounting — Below the sink, lock washer and nut secure the spout assembly and base gasket to the counter.

continued . . .

Anti-Rotation Pin — For use on stainless steel sinks only. Use base gasket and pin to anchor the faucet in position and prevent unit rotation.

Control Module with Solenoid Valve — Controlled by IR sensor, opens and closes the flow of water to the unit. 4 “AA” Battery Pack (batteries included) comes standard with unit and is housed in the Electronics Box. AC Adapter provided with 6-foot cable for use with power inlet located on the control module as an alternative power supply option.

Filter — Installed to the side of the Control Module and connects to water line to help prevent debris and other materials from clogging unit or causing a malfunction.

Temperature Mixing Valve — Temperature mixing valve comes pre-installed to the control module and can be adjusted to desired water temperature.

Supply Hose — Two 18” water supply hoses with 3/8” compression connections, provided, connect hot and cold water supply to the unit through direct connection to the Temperature Mixing Valve.

OPERATION:

The sensor range is factory set at the mounting surface of the faucet. If needed, sensor range can be adjusted. To activate faucet, place hand under spout for approximately 1 second. Water will flow from spout at a rate of 0.5 gallons per minute (GPM) for 15 seconds when an object is in the sensor range, with the option to adjust that duration through Auto Time-Out Adjustment settings to prevent water spills and reduce excessive water use. When the object is removed from the sensor range, the faucet automatically shuts the water off after 1 second with the option to increase this period through the water shut-off delay adjustment settings. Faucet is equipped with Auto-Flush Mode that, when enabled, will flush the faucet every 12 hours after the last use for 30 seconds. Metering mode, when enabled, establishes a 15 second water flow that continues regardless of object presence and Auto Time-Out Adjustment Settings. A single red LED flash every 2 seconds on the control module indicates the batteries are low and will need to be replaced soon. A constant red LED and no water flow indicates batteries are dead.

INSTALLATION:

Recommended through hole diameter to properly mount the spout/shank is 1” (25mm) to maximum 1 ½” (38mm). Refer to installation instructions available on website and included with shipments of faucets for specific information on how to install units.

Note: Before installation, turn off water supply to existing faucet and remove faucet if replacing an existing unit. Clean the faucet basin and clear away debris. Flush all supply lines before connecting the faucet. Failure to do so may result in debris clogging the inlets and/or internal control and mixing valve.

SPECIFICATIONS:

Counter-Mounted Faucet shall be an ADA compliant automatic, touch-free sensor faucet. Spout is made of one-piece heavy-duty cast brass available in five different finishes. Unit shall offer adjustable operational settings for auto time-out adjustment, water shut-off delay adjustment, auto-flush mode, and metering mode. Unit shall use an IR Time-of-Flight sensor to detect occupant hands and trigger the water flow for hygienic, hands-free operation. Faucet includes a solenoid valve and is powered by 4 “AA” batteries (voltage range of 6 VDC Series) or the AC adapter provided. The Sensor activation range may be calibrated, dependent upon sink depth and finish. The Operating Water Pressure shall be in a range of 20-125 PSI (138-862kPA). The Operational Water Temperature shall be in the range of 40°F to 140°F (4.44°C to 60°C). The Flow Rate shall be in the range of 0.5 GPM/ 1.9 LPM Vandal resistant non-aerated. Certified to ASME A112.18.1/CSA B125.1, NSF 372, NSF 61 - Section 9, and UL 1951. Meets ADA ANSI/ICC A117.1 requirements. For LEED Compliance on flow rate, refer to your local codes.

Counter-Mounted Faucet shall be _____ (insert model number) of Bobrick Washroom Equipment, Inc., Clifton Park, New York; Jackson, Tennessee; Los Angeles, California; Bobrick Washroom Equipment Company, Scarborough, Ontario; Bobrick Washroom Equipment Pty. Ltd., Australia; and Bobrick Washroom Equipment Limited, United Kingdom.